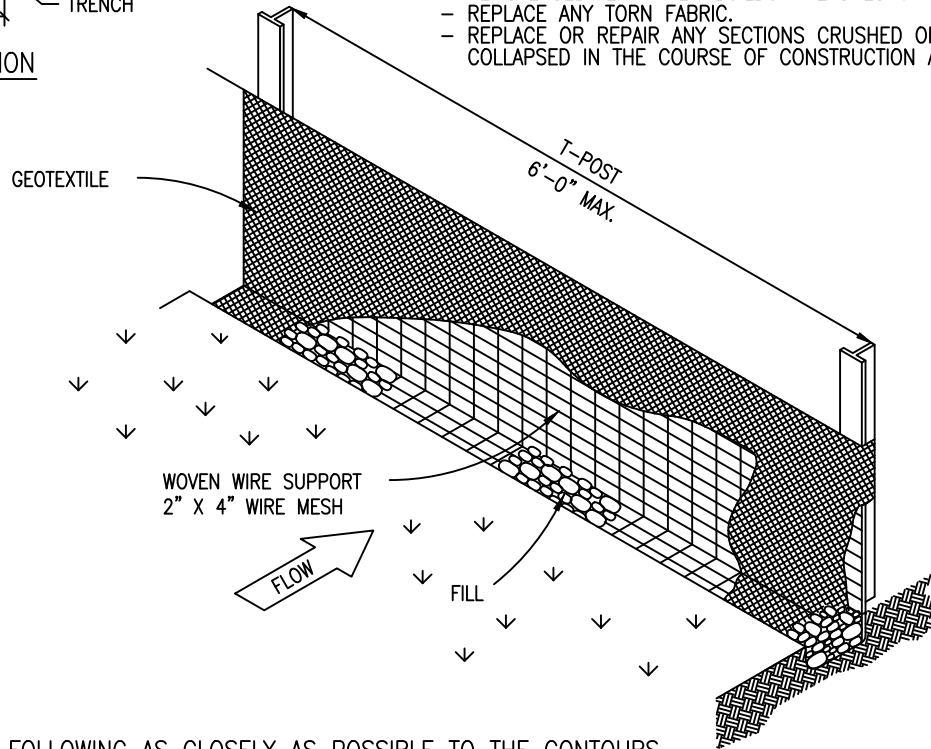


- INSPECTION AND MAINTENANCE GUIDELINES:**
- INSPECT ALL FENCING WEEKLY, AND AFTER ANY RAINFALL EVENT.
 - REMOVE SEDIMENT WHEN BUILDUP REACHES 6 INCHES.
 - REPLACE ANY TORN FABRIC.
 - REPLACE OR REPAIR ANY SECTIONS CRUSHED OR COLLAPSED IN THE COURSE OF CONSTRUCTION ACTIVITY.



INSTALLATION:

- LAYOUT THE SILT FENCE FOLLOWING AS CLOSELY AS POSSIBLE TO THE CONTOURS.
- CLEAR THE GROUND OF DEBRIS, ROCKS AND/OR PLANTS (INCLUDING GRASSES TALLER THAN 2") TO PROVIDE A SMOOTH FLOW APPROACH SURFACE.
- EXCAVATE 6" DEEP BY 6" WIDE TRENCH ON UPSTREAM SIDE OF FACE PER PLANS.
- DRIVE THE HEAVY DUTY T-POST AT LEAST 12 INCHES (12") INTO THE GROUND AND AT A SLIGHT ANGLE TOWARDS THE FLOW.
- ATTACH THE 2" X 4" - 12 GAUGE WELDED WIRE MESH TO THE T-POST WITH 11-1/2 GAUGE GALVANIZED T-POST CLIPS. THE TOP OF THE WIRE TO BE 24" ABOVE GROUND LEVEL. THE WELDED WIRE MESH TO BE OVERLAPPED 6" AND TIED AT LEAST SIX TIMES WITH HOG RINGS.
- THE SILT FENCE TO BE INSTALLED WITH A SKIRT MINIMUM OF 6" WIDE, PLACED ON THE UPHILL SIDE OF THE FENCE INSIDE THE EXCAVATED TRENCH. THE FABRIC TO OVERLAP THE TOP OF THE WIRE BY ONE INCH (1").
- ANCHOR THE SILT FENCE BY BACKFILLING WITH EXCAVATED DIRT AND ROCKS (NOT LARGER THAN 2").
- GEOTEXTILE SPLICES, MINIMUM 18" WIDE, SHOULD BE ATTACHED IN AT LEAST SIX PLACES. SPLICES IN CONCENTRATED FLOW AREAS WILL NOT BE ACCEPTED.
- SILT FENCE SHALL BE REMOVED WHEN THE SITE IS COMPLETELY STABILIZED SO AS NOT TO BLOCK OR IMPEDE STORM FLOW OR DRAINAGE.



CITY OF HUTTO
CONSTRUCTION STANDARDS AND DETAILS

SILT FENCE
ENGINEERING & PUBLIC WORKS

DRAWING NO. ESC02

UPDATED: 02/01/2019

DRAWN BY: BB

SCALE: N.T.S.

FILE NAME: ESC02.DWG