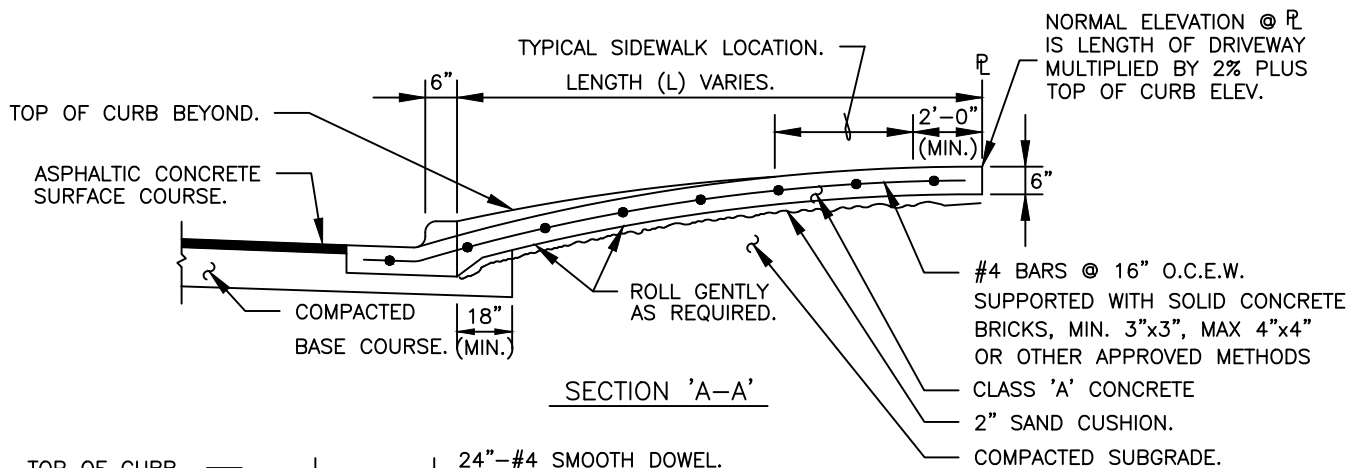
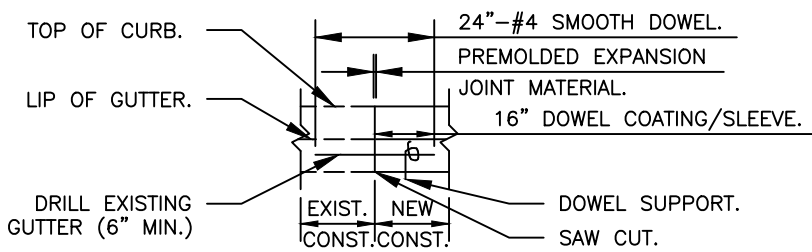


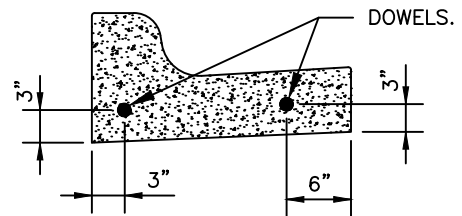
PLAN



SECTION 'A-A'



EXPANSION JOINT DETAIL



SECTION

NOTES:

1. THE SIDEWALK AREA OF THE DRIVEWAY SHALL SLOPE TOWARD THE STREET PAVING AT NO MORE THAN 1.5%
2. CONTROL JOINT DIMENSIONS PER DETAIL SD04.
3. NO MANUFACTURED SAND.



CITY OF HUTTO
CONSTRUCTION STANDARDS AND DETAILS

RESIDENTIAL
DRIVEWAY
ENGINEERING & PUBLIC WORKS

DRAWING NO. ST03

UPDATED: 02/01/2019

DRAWN BY: BB

SCALE: N.T.S.

FILE NAME: ST03.DWG