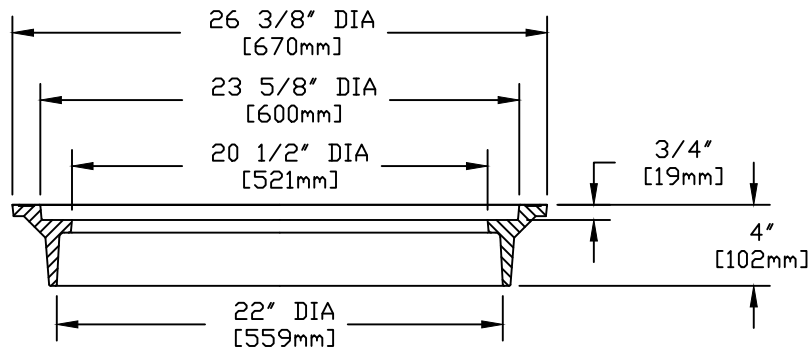
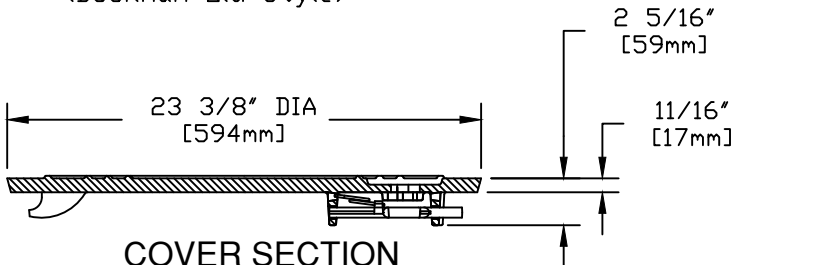


BOTTOM VIEW OF COVER



FRAME SECTION

NOTES

1. STANDARD CURB INLET LID SET TO BE EAST JORDAN IRON WORKS, INC. CATALOG NO. 106-4L OR APPROVED EQUAL.
2. FOR MORE DETAILED SPECIFICATIONS, REFER TO EAST JORDAN IRON WORKS, INC. REFERENCE PRODUCT DRAWING 35506124.
3. CURB INLET LID AND FRAME TO BE GRAY IRON PER ASTM A48 CL35B.



CITY OF HUTTO
CONSTRUCTION STANDARDS AND DETAILS
STANDARD CURB
INLET LID
ENGINEERING & PUBLIC WORKS

DRAWING NO.	SD03
UPDATED:	02/01/2019
DRAWN BY:	BB
SCALE:	N.T.S.
FILE NAME:	SD03.DWG